



flow switch for water based media

flow-captor 4114.03



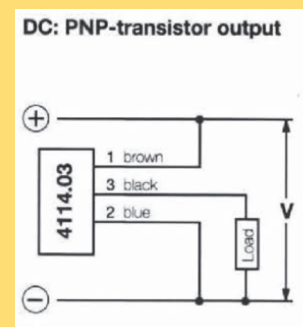
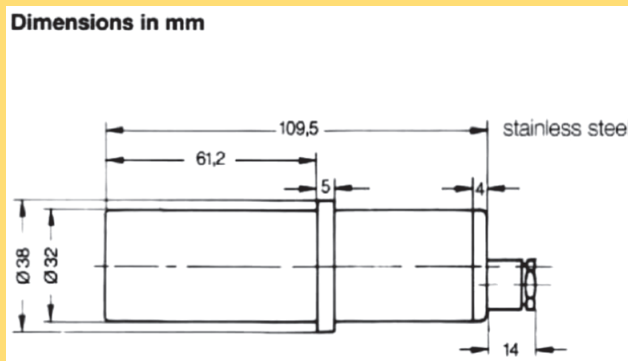
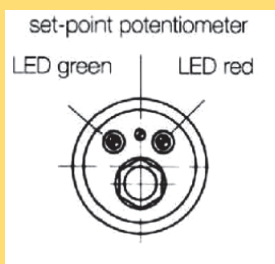
The flow-captor 4114.03 is a universally applicable solid-state flow switch in cylindrical housing for industrial applications. The construction and design of this flow-captor makes application ideal even in inaccessible places and harsh environmental conditions. The flow-captor operates according to the calorimetric principle without any moving parts. Installation by means of a stainless steel union nut is simple and allows fitting in any pipe assembly. The construction of the sensor provides for non-intrusive flow sensing and does not obstruct the pipe diameter.

- precise switching flow switch for water based media
- set-point adjustable from 0.2 m/s to 2 m/s
- calorimetric principle without moving parts
- LED-display for output status
- ISO 9001 : 2015

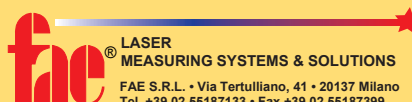


Technical Data	
Typ	4114.03
Medium	water based
Sensor Data *1	
Switching range	0.2 m/s to 2 m/s, continuously adjustable
Adjustment characteristics	logarithmic to flow speed
Medium temperature	- 10 °C to + 80 °C
Ambient temperature	- 10 °C to + 60 °C
Pressure	max. 30 bar
Response time	2 -10 sec. depends on measuring conditions
Repeatability	< 5 %
Temperature drift	< 0.5 % pro Kelvin
Hysteresis	< 15 %
Mechanical Data	
Protection class	IP65
Material housing	stainless steel AISI 303 (other material on request)
Material sensor head	stainless steel AISI 303 (other material on request)
Material of sensor probe	FP (Viton)
Mounting accessories	union nut G 1 1/4 A, SW 50 mm (stainless steel AISI 303)
Electrical connection	2 m moulded oilflex cable 3 x 0.5 mm ²
Dimensions	L = 109,5 mm; B = 32 mm
Electrical Data	
Operating voltage	24 VDC ±10%
Current consumption	max. 200 mA
Initial operation	approx. 10 sec. after connection of power
Electrical output without flow	PNP n.o. (closer) currentless

*1) data relate to water



since 1976



www.fae.it
e-mail: fae@fae.it

FAE S.R.L. • Via Tertulliano, 41 • 20137 Milano
Tel. +39 02 55187133 • Fax +39 02 55187399