
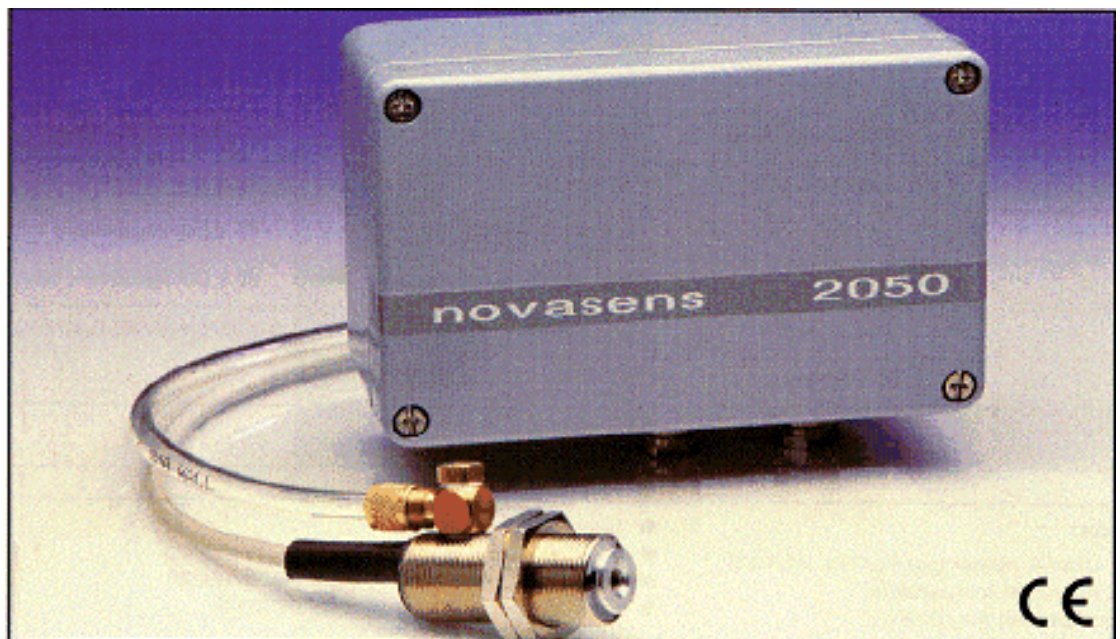


CLIENTE:	COMMESSA	REVISIONE	
LOCALITA':	SPEC... 2050...G		
IMPIANTO:			
		Pag. 1	
File	Documento aziendale - La Societa' tutelera' i propri diritti a termini di Legge		

INFRARED TEMPERATURE CONTROLLER

2050




OPERATOR MANUAL

formato
A4
portr.

dimens.
210x297

mod.
FA4D00

	2050 manual				
REV	DESCRIZIONE	COMP	VERIF	APPR	DATA

CLIENTE:	COMMESSA	REVISIONE	
LOCALITA':	SPEC... 2050...G		
IMPIANTO:			
		Pag. 2	
File	Documento aziendale - La Societa' tutelera' i propri diritti a termini di Legge		

CONTENTS

Unit description

Measuring ranges / outputs

DIP – switch

Calibration / Emissivity compensation

Sensor dimensions

Housing dimensions

Sensor data

Air cooling with lens cleaning air pressure table


Technical data

formato
A4
portr.

dimens.
210x297

mod.
FA4D00

	2050 manual				
REV	DESCRIZIONE	COMP	VERIF	APPR	DATA

CLIENTE:	COMMESSA	REVISIONE	
LOCALITA':	SPEC... 2050...G		
IMPIANTO:			
		Pag. 3	
File	Documento aziendale - La Societa' tutelera' i propri diritti a termini di Legge		

UNIT DESCRIPTION

The novasens 2050 is an analogue universal Infrared Temperature measuring Instrument with standard outputs for easy combination with temperature regulators, indicators and PLC-Systems. The unit consists of a separate sensor and a transducer.

Voltage supply is 230VAC or 24VDC (Option).

CONVERTIBLE MULTIRANGE /STANDARD OUTPUTS

-40°C....±60°C, 0°C - 250°C, 0°C - 500°C, 0°C - 1000°C Ranges
0-20mA, 4-20mA, 0- 10VDC, Relay contact. Outputs
Load 500 ohms built in.for 0- 10VDC output.

DIP-SWITCH

Measuring range and output selectable by a dip-switch:

Range	S1	S2	S3	S4	S5
-40...+60°C	on	off	off	on	on
0°C to 250°C	on	off	on	off	off
0°C to 500°C	on	on	off	off	off
0°C to 1000°C	off	on	off	off	off

Output	S6	S7	S8
0-20mA	off	off	on
4-20mA	off	on	off
0-10VDC	on	off	on

Hazard! Do not touch surface under electrical power with sensor or transducer. Electrical shock!

formato
A4
portr.

dimens.
210x297

mod.
FA4D00

	2050 manual				
REV	DESCRIZIONE	COMP	VERIF	APPR	DATA

CLIENTE:	COMMESSA	REVISIONE
LOCALITA':	SPEC... 2050...G	
IMPIANTO:		
		Pag. 4
File	Documento aziendale - La Societa' tutelera' i propri diritti a termini di Legge	

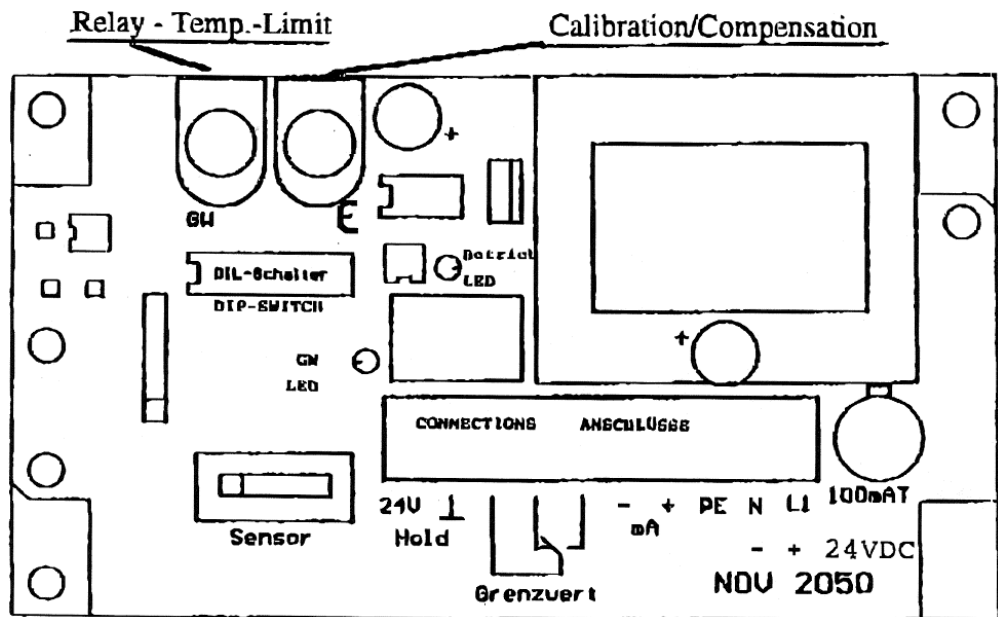


TEMPERATURE CALIBRATION

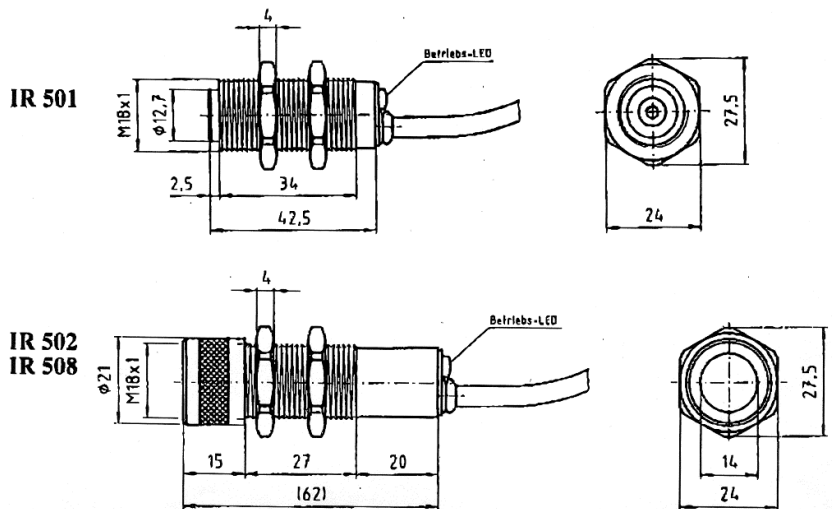
EMISSIVITY COMPENSATION

The temperature calibration and emissivity compensation can be adjusted by a separate E - regulator.

Diagram:



SENSOR DIMENSIONS mm



formato
A4
portr.

dimens.
210x297

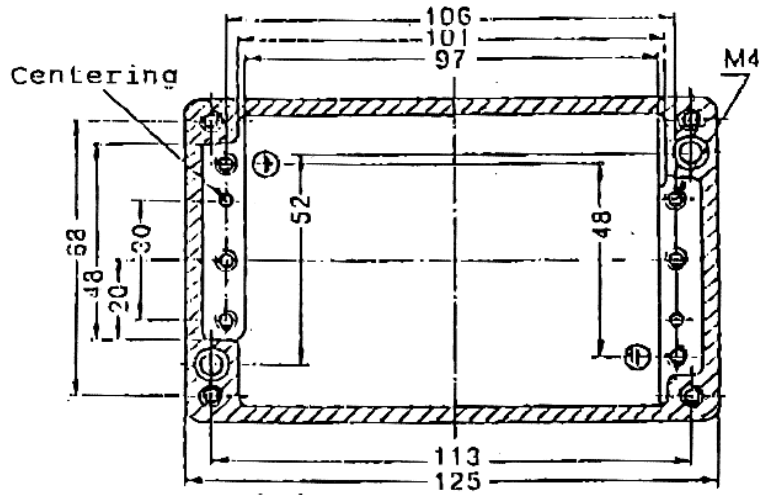
mod.
FA4D00

	2050 manual				
REV	DESCRIZIONE	COMP	VERIF	APPR	DATA

CLIENTE:	COMMESSA	REVISIONE
LOCALITA':	SPEC... 2050...G	
IMPIANTO:		
		Pag. 5
File	Documento aziendale - La Societa' tutelera' i propri diritti a termini di Legge	



HOUSING DIMENSIONS



SENSOR DATA


- 1. Sensor 501
Distance / Target 1 : 1
- 2. Sensor 502
Distance / Target 100 mm : 2 mm
- 3. Sensor 508
Distance / Target 50 mm : 8 mm

AIR COOLING WITH LENS CLEANING

Pressure (bar)	Sensors temperature or ambient temperature °C
0,0	50
0,1	50
0,2	60
0,3	70
0,7	90
1,0	105
1,2	120
1,4	140
1,7	150
2,0	170

formato
A4
portr.
dimens.
210x297
mod.
FA4D00

	2050 manual				
REV	DESCRIZIONE	COMP	VERIF	APPR	DATA

CLIENTE:	COMMESSA	REVISIONE	
LOCALITA':	SPEC... 2050...G		
IMPIANTO:			
		Pag. 6	
File	Documento aziendale - La Societa' tutelera' i propri diritti a termini di Legge		

Technical data

TECHNICAL DATA	
Measuring range °C	-40...+60; 0 – 250; 0 – 500; 500 - 1000
Resolution	1/10°C
Response time	Ca 13 ms
Accuracy	± 1% range
Distance / target spot mm	1 : 1; 50 : 8; 100 : 2
Spectral range	8 – 14 µm
Load	500 Ohm built in
Trigger Hold	24 Vdc input
Emissivity coefficient comp.	1,0.....0,1
Permissible ambient temp.	0°C.....60°C
Supply voltage	230Vac
Permissible moisture	Sensor 65%
Fuse	100 mAT
Dimensions	125 x 60 x 80 mm (BxHxT)
Dimensions	Sensor 501 42 x Ø 18
	Sensor 502 62 x Ø 18
	Sensor 503 62 x Ø 18
Output (linear)	0 – 20mA; 4 – 20mA; 0-10Vdc
Cable entry	PG7

formato
A4
portr.

dimens.
210x297

mod.
FA4D00

	2050 manual				
REV	DESCRIZIONE	COMP	VERIF	APPR	DATA